

Technical Data Sheet

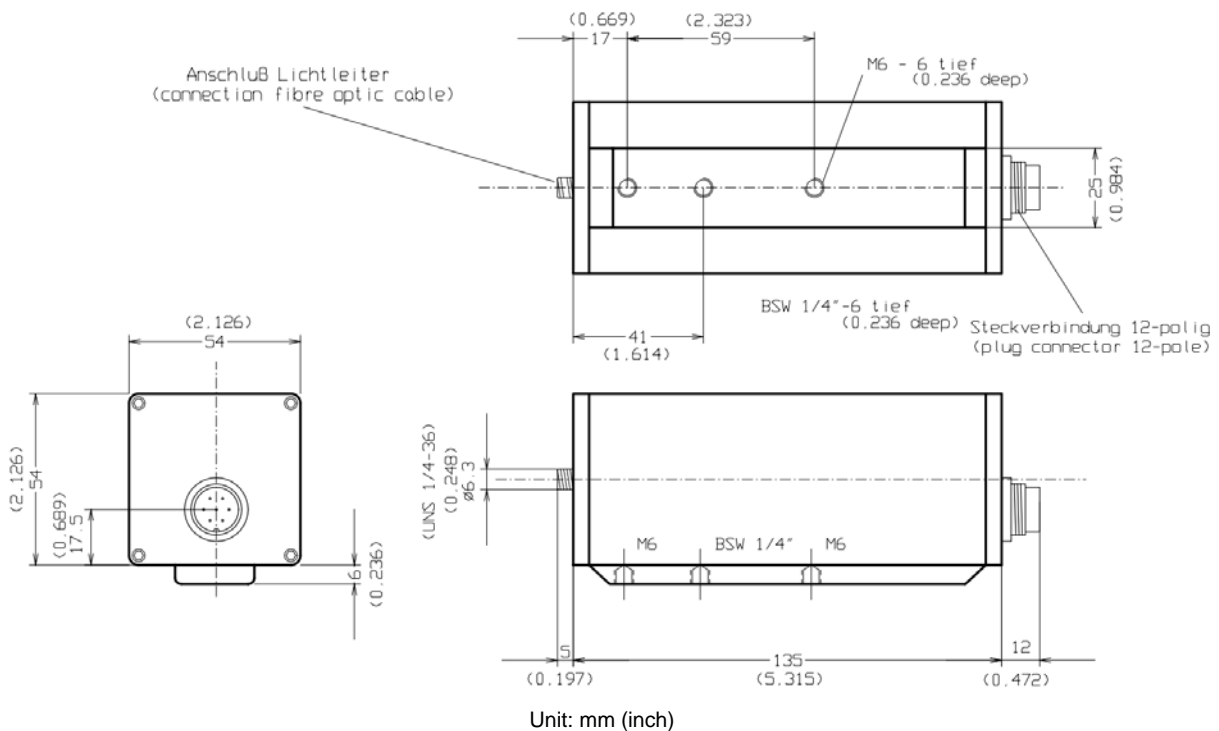
General specifications

Storage temperature:	-10 ... 70 °C
Permissible ambient temperature:	0 ... 50 °C (optic system up to 150 °C)
Protection class:	IP65
Housing:	Aluminum
Weight:	Appr. 0.6 kg

Scope of supply and options¹

Accessories:	<ul style="list-style-type: none"> ■² Manual ■ Software EasyLog ■ Connecting cable with 12-pin female connector 2 m length, PVC, unterminated ends □ Connecting cable, ≥ 5 m length: PTFE; PUR; PVC; TPE, unterminated ends or 12-pin female connector
Calibration certificate:	□ HEITRONICS certificate
Housing:	□ Protective cooling jacket (water) for ambient temperatures above 60 °C
Mechanical accessories:	□ Air purge fitting, beam deflection 90°...
Bus interface:	□ With transducer (Profibus, Profinet, Ethernet, Ethercat, USB 2.0)

Dimensions



¹ Special model specification on request.

² ■ Standard function
□ Option