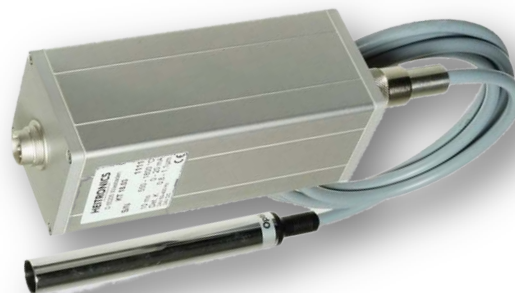


Technical Data Sheet

KT18.03RDLL

Infrared Radiation Thermometer

- Dual and Single Wavelength
- Fibre optics with optic system
- Light beam aiming device
- Ambient temperature fibre optic and optic: 150 °C without cooling



Measurement specifications

Temperature range:	600 ... 1600 °C, 800 ... 1800 °C, 900 ... 2000 °C, 1000 ... 2500 °C or 1000 ... 3000 °C
Temperature span:	600 ... 3000 °C
Measurement uncertainty:	0.5 % of the measured value in °C ± 1 °C ($\epsilon = 1$, $T_{amb.} = 23$ °C, $T_{95} = 1$ s)
Reproducibility:	0,1 % of the measured value in °C ± 1 °C ($\epsilon = 1$, $T_{amb.} = 23$ °C, $T_{95} = 1$ s)
Field of view:	from Ø 0.7 mm (± 5 %) on, depending on optic and detector
Response time (t_{90}):	From 1 ms on
Temperature unit:	°C or °F
Emission ratio:	-0.8 ... 1.2

Electrical specifications / Functions

Analog output:	0 ... 20 mA; 4 ... 20 mA	
Function:	Actual, maximum value	
Digital output option:	open-collector 24 VDC / max. 100 mA	
Function:	Min. intensity, limit	
Digital input option:	Push button (customized)	
Function:	Reset of memory, (de-)activate digital outputs or laser	
Serial interface:	RS232 isolated ± 50 V or RS485 isolated 2500 V RMS	
Aiming options:	Light beam aiming device, green LED, laser or sight	
Programmable via serial interface:	Emissivity, digital output, analog output, partial measuring range, temperature unit, Max value memory, average value, light beam aiming device switchable	
Operating voltage:	DC: 24 V ± 10 %	AC: 18 V ± 10 %
Power consumption:	< 160 mA	

Technical Data Sheet

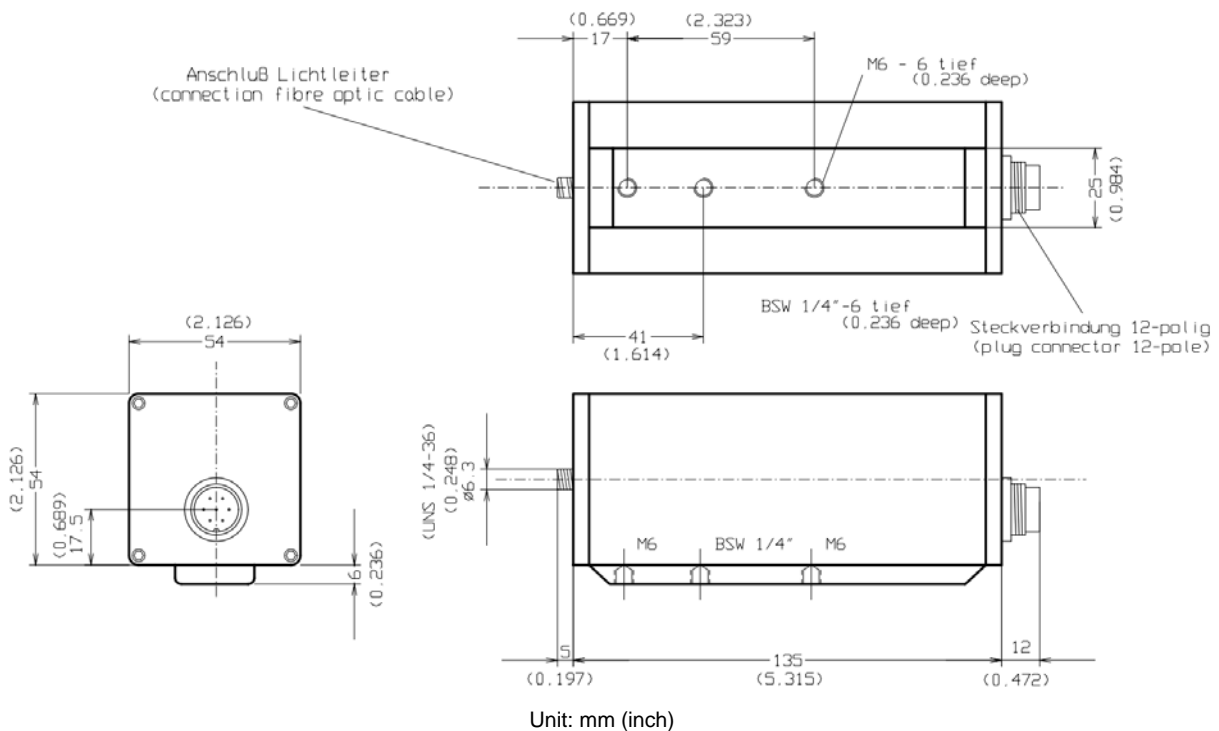
General specifications

Storage temperature:	-10 ... 70 °C
Permissible ambient temperature:	0 ... 50 °C (optic system up to 150 °C)
Protection class:	IP65
Housing:	Aluminum
Weight:	Appr. 0.6 kg

Scope of supply and options¹

Accessories:	<ul style="list-style-type: none"> ■² Manual ■ Software EasyLog ■ Connecting cable with 12-pin female connector 2 m length, PVC, unterminated ends □ Connecting cable, ≥ 5 m length: PTFE; PUR; PVC; TPE, unterminated ends or 12-pin female connector
Calibration certificate:	□ HEITRONICS certificate
Housing:	□ Protective cooling jacket (water) for ambient temperatures above 60 °C
Mechanical accessories:	□ Air purge fitting, beam deflection 90°...
Bus interface:	□ With transducer (Profibus, Profinet, Ethernet, Ethercat, USB 2.0)

Dimensions



¹ Special model specification on request.

² ■ Standard function
□ Option