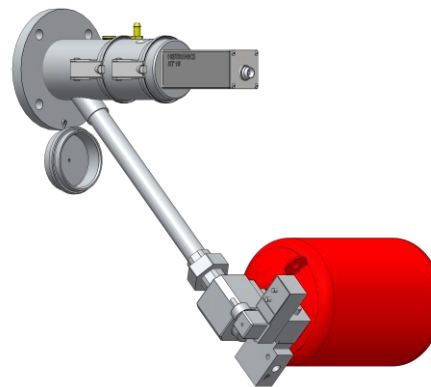


KT15.67 IIP QAL1

Infrared Radiation Thermometer

- QAL1-certified (DIN EN 15267)
- Measurement of flue gas temperature for boilers < 4 m
- minimum temperature-control in the secondary combustion zone in plants complying with 13th, 17th and 27th BImSchV
- Wide range of accessories for protection in combustion processes



Measurement specifications

Temperature range¹:	400 ... 1400 °C
Spectral response:	x ... y μm
Measurement uncertainty:	± 0.5 °C plus 0.7 % of the temperature difference between measured target and instrument
Temperature resolution (NETD):	Typical value is 0.75 °C (2 Sigma, by t_{90} : 3 s, 400 °C; $\epsilon = 1$) Depending on the measured temperature and the response time
Long-term stability:	Better than 0.01 % of the absolute measured temperature in Kelvin per month
Field of view:	From $\varnothing 0.7$ mm (± 5 %) on, depending on optic and detector
Response time (t_{90}):	10 s or 30 s
Temperature unit:	°C, K or °F
Emissivity:	0.100 ... 1.000 in 0.001 steps
Lens:	CaF2

Electrical specifications / Functions

Analog output:	4 ... 20 mA, resolution 16 bit, 400 ... 1400 °C,	
Function:	Actual value	
Service keyboard at the side with LED display:	Operation of the instrument without computer software for measured value display, programming parameters and error message	
Digital output:	Open-collector-output	
Function:	Maintenance mode active	
Digital input option:	Dry contact switch or operating voltage	
Function:	Toggle maintenance mode (on/off, active low)	
Serial interface:	RS232 interface, bi-directional 9.6 ... 115.2 kBaud, optional: RS485	
Programmable via serial interface and service keyboard:	Emissivity, analog output, analog output function, response time, temperature unit, Min and Max value memory adjustable with decay rate, reset by contact or temperature threshold, alarm switching point, time period etc.	
Operating voltage:	DC: 10.5 ... 30 V	AC: 12 ... 24 V ± 10 %, 48 ... 400 Hz
Power consumption:	< 150 mA at 24 VDC	3.5 W

¹ Depending on configuration

Technical Data Sheet

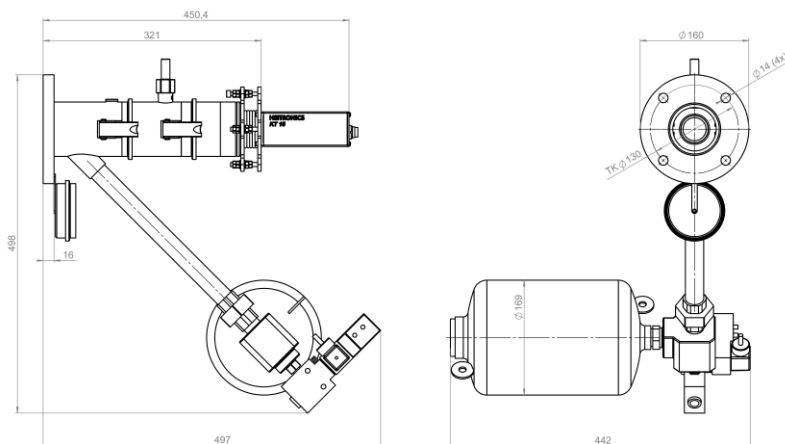
General specifications

Storage temperature:	-20 ... 70 °C
Permissible ambient temperature:	-20 ... 70 °C (optional with protective cooling jacket WK15 up to 250 °C)
Protection class:	IP65 (IEC), (NEMA6)
Protection against oscillation:	DIN 40046 BL.8, test: FC, vibration resistance: A B1 E, Frequency range: 10 ... 55 Hz, amplitude: ± 0.2 mm, duration of test: 30 min
Housing:	Stainless steel and aluminum
Weight:	Appr. 0.55 kg

Scope of supply and options²

Accessories:	<ul style="list-style-type: none"> ■³ Manual KT15 II ■ Software EasyMeas ■ Connecting cable with 12-pin female connector 2 m length, PVC, unterminated ends □ Connecting cable ≥ 5 m length: PTFE; PUR; PVC; TPE, unterminated ends or 12-pin female connector
Calibration certificate:	□ HEITRONICS certificate
Housing:	<ul style="list-style-type: none"> □ Protective cooling jacket WK15 up to 250 °C ambient temperature □ Ex-proof housing stainless steel (II 2 G, Ex d e IIC T5 Gb Tamb: -50 °C ... 60 °C; IP66)
Adapter and flanges:	□ See document Options and Accessories
Bus interface:	□ With transducer

Dimensions⁴



Unit: mm

² Special model specification on request

³ ■ Standard function

□ Option

⁴ The dimensions given within this document will be valid for the drawing shown.