

Technical Data Sheet

Camera

For View Finder KT19 II

- Retrofit possible
- Display for temperature indication and measuring field marker
- Small dimensions
- Protective cover



Product

Compatibility:	KT19 II with view finder (only lens types CaF2 or ZnSe)
Manufacturer:	IDS Imaging Development Systems GmbH, Obersulm https://en.ids-imaging.com/
Type:	UI-1007XS-C (AB02716)
Software:	µEye Cockpit https://en.ids-imaging.com/
Resolution:	2592 x 1944 pixel, 5,04 Mpixel
Aspect ratio:	4 : 3
ADC/Colour depth:	10 bit / 8 bit
Frame rate Freerun-Mode:	15

Connections and Housing

Interface connection:	USB 2.0
Operating voltage:	USB
Power consumption:	1 ... 1,1 W

General Parameter

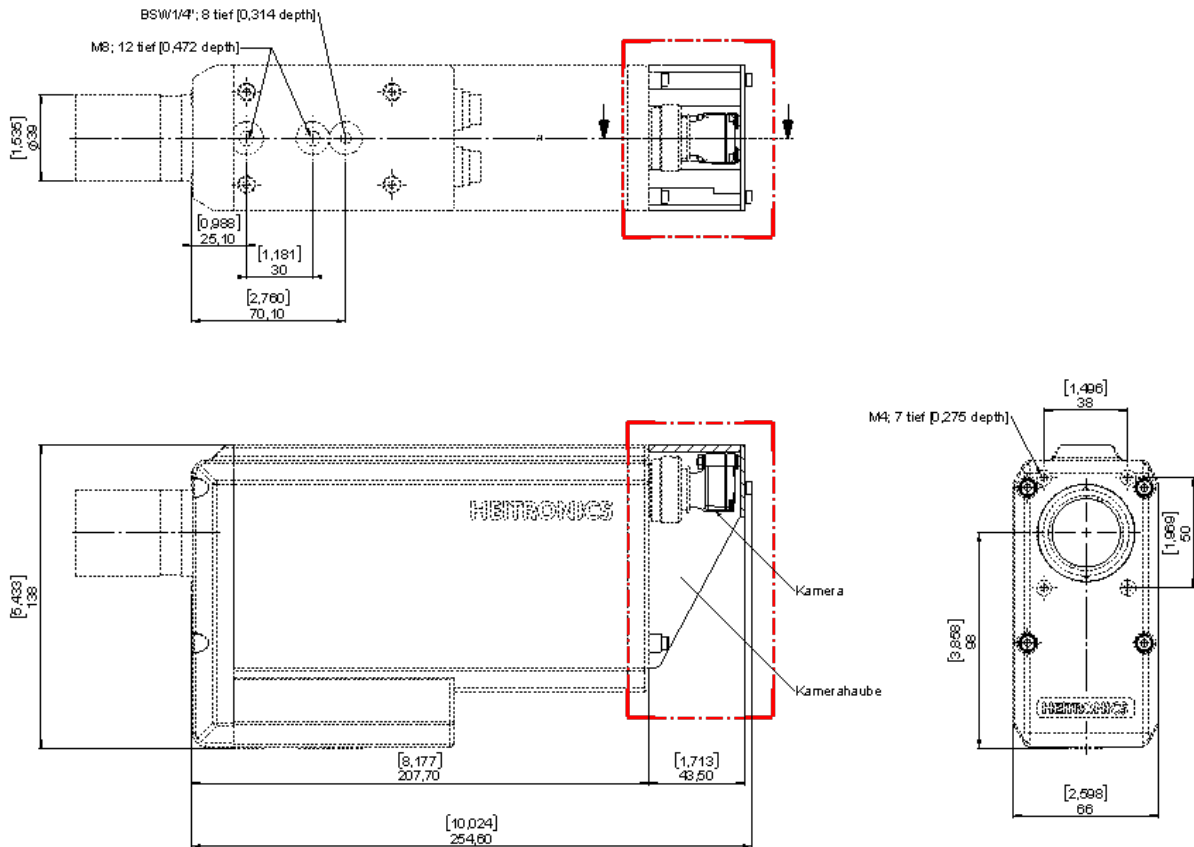
Storage temperature:	-20 ... 60 °C
Permissible ambient temperature:	0 ... 55 °C (option: with protective cooling jacket (water) up to 250 °C)
Type of protection:	IP30 (IEC)
Cable length:	Approx. 50 cm, option: extension

Technical Data Sheet

Scope of supply and options ¹

- ² Camera UI-1007XS-C
- Quickstart Instruction

Dimensions



Specifications are subject to change without notice.

Technische Änderungen und redaktionelle Irrtümer vorbehalten.

- 1 Special model specification on request.
 2 ■ Standard function
 □ Option